

Dual Bi-Directional (BiDi) SFP Optical Transceivers



Features

- Dual BiDi channels in a compact SFP package
- TX1310/RX1490 and TX1490/RX1310 nm wavelength
- 4x increase bandwidth capacity in existing fiber network
- Single mode, 155 Mb/s - 2.5 Gb/s, 20 km reach
- Duplex LC connector, Z-axis hot pluggable
- AC coupling LVPECL differential I/O, TTL signal detect

Applications

- ✓ Ethernet, Fiber Channel, ATM/SONET, SDH
- ✓ High speed I/O bus extension, systems interconnects
- ✓ Data Communication for SAN and LAN
- ✓ Industrial Control Link
- ✓ Central offices routers and switches
- ✓ Mass storage systems interconnect



**Two Bi-Directional Channels in one SFP.
4X Bandwidth Increase!**

Products Selection Guide					
Part Number*	TX Wavelength	Data Rate	Power Budget	Distance**	Temp. Range
155 Mb/s, Single Mode Applications, 20 km					
CBD-155T3R4-AT20K	1310 nm	155 Mb/s	14 dB	20 km	0 – 70°C/-40 – 85°C
CBD-155T4R3-AT20K	1490 nm	155 Mb/s	14 dB	20 km	0 – 70°C/-40 – 85°C
1.25 Gb/s, Single Mode Applications, 20 km					
CBD-1250T3R4-AT20K	1310 nm	1.25 Gb/s	14 dB	20 km	0 – 70°C/-40 – 85°C
CBD-1250T4R3-AT20K	1490 nm	1.25 Gb/s	14 dB	20 km	0 – 70°C/-40 – 85°C
2.5 Gb/s, Single Mode Applications, 20 km					
CBD-2500T3R4-AT20K	1310 nm	2.5 Gb/s	14 dB	20 km	0 – 70°C/-40 – 85°C
CBD-2500T4R3-AT20K	1490 nm	2.5 Gb/s	14 dB	20 km	0 – 70°C/-40 – 85°C

*: Add "-T" in the Part Number for products with extended temperature range -40–85 °C. For example, CBD-1250T3R4-AT20K-T.

***: The indicated distance is for reference only, not guaranteed specifications. The actual transmission distance depends on system configuration and power budget. For single mode fibers, the typical loss is 0.25 dB/km @ 1550 nm and 0.35 dB/km @ 1310 nm.

**155 Mb/s, SFP LC, Dual BiDi
TX 1310/RX1490, TX 1490/RX1310 nm
Single Mode, 20 km Distance**

Description

This compact SFP has dual-channel Bi-Directional (BiDi) optics for single mode applications. This compact module increases by 4x instantly the total bandwidth capacity of an existing fiber cable infrastructure. Built upon OptixCom's advanced BiDi technology, this compact design has set a new standard for increasing port density requirement in the networking industry.

This optical transceiver integrates two BiDi channels transmitting at 1310 nm and receiving at 1490 nm wavelength, and vice versa for the matching one (1310 nm to receive and 1490 nm to transmit) at the other end to make a complete link.

It operates at 155 Mb/s with 20 km of transmission distance and > 18 dB power budget. The product is compliant with CSFP MSA Option 2 and SFF-8472. It's RoHS compliant.

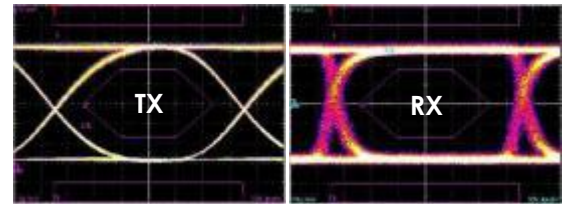


Lead-Free

**CBD-155T3R4-AT20K
CBD-155T4R3-AT20K**



155 Mb/s, 2²³-1 NRZ Data Eye Pattern



Key Features

- 2x Bi-Directional channels in one SFP package
- Single Mode, 155 Mb/s
- TX1310/RX1490 and TX1490/RX1310 nm wavelength
- > 18 dB power budget, 20 km reach
- Single 3.3 V power supply
- Z-axis hot pluggable
- Compliant with CSFP MSA Option 2
- Dual LC connector optical interface
- AC coupling LVPECL differential I/O logics
- -40-85 °C extended temperatures available
- RoHS compliant

Applications

- ✓ Fiber Channel, Ethernet, ATM/SONET , SDH STM-1
- ✓ High speed I/O for file server
- ✓ Data Communication for SAN and LAN
- ✓ Industrial Control Link
- ✓ Central offices routers and switches
- ✓ Mass storage systems interconnect

Ordering Information

Part Number: CBD-155T3R4-AT20K

Description:

155 Mb/s, Single Mode, SFP Dual BiDi Optical Transceiver, TX 1310 nm /RX 1490 nm, 20 km, 0 -70°C.

Part Number: CBD-155T4R3-AT20K

Description:

155 Gb/s, Single Mode, SFP Dual BiDi Optical Transceiver, TX 1490 nm /RX 1310 nm, 20 km, 0 -70°C.

* Add "-T" in the Part Number for extended temperature range -40-85 °C, i.e., CBD-155T3R4-AT20K-T.

Operating Conditions

Parameter	Min.	Typical	Max.	Units
Operate Temperature	0	25	70	°C
- T Transceivers	-40	25	85	°C
Data Rate	---	155	200	Mb/s
Supply Voltage	3.13	3.3	3.47	V
Supply Current	---	350	400	mA

Absolute Maximum Ratings

Parameter	Symbol	Min.	Max.	Units
Storage Temperature	T_{st}	-40	85	°C
Supply Voltage	V_{CC}	-0.5	4.0	V
Input Voltage	V_{IN}	-0.5	$V_{CC} + 0.3$	V
Output Current	I_o	---	50	mA
Relative Humidity	$R.H.$	0	85	%

Transmitter Electro-Optical Characteristics

Parameter	Symbol	Min.	Typical	Max.	Units
Differential Input Voltage ¹	ΔV_i	0.4	---	1.8	V
Differential Input Impedance ²	Z	---	100	---	ohm
Optical Output Power ³	P_o	-14	---	-8	dBm
Optical Wavelength (CBD-1250T3R4-AT20K)	λ_o	1260	1310	1360	nm
Optical Wavelength (CBD-1250T4R3-AT20K)	λ_o	1470	1490	1510	nm
Rise/Fall Time (20%~80%)	T_r/T_f	---	---	0.26	ns
Extinction Ratio	ET	9	---	---	dB
TX Disable Power	P_{TD}	---	---	-30	dBm
Spectral Width (rms)	$\Delta\lambda$	---	---	4	nm
TX Disable Voltage – High	V_{DH}	2.0	---	V_{CC}	V
TX Disable Voltage - Low	V_{DL}	0	---	0.8	V
TX Fault Output - High	V_{FH}	2.0	---	V_{CC}	V
TX Fault Output - Low	V_{FL}	0	---	0.8	V
TX Disable Assert Time	T_{ass}	---	---	10	μs
TX Disable Deassert Time	T_{disass}	---	---	1.0	ms
Time to Initialize	T_{as}	---	---	300	ms
TX Fault from Fault to Assertion	T_{fault}	---	---	100	μs
TX Disable Time to Start Reset	T_{reset}	10	---	---	μs

Notes:

1. Applied to AC LVPECL I/O coupling. See the design guide for proper termination.
2. Single ended will be 50 ohm for each signal line.
3. Output of coupling optical power into 9/125 μm SMF.

Receiver Electro-Optical Characteristics

Parameter	Symbol	Min.	Typical	Max.	Units
Differential Input Impedance	Z	---	100	---	Ohm
Differential Output Voltage ¹	ΔV_o	0.4	---	1.8	V
Optical Wavelength (CBD-1250T3R4-AT20K)	λ_o	1470	1490	1510	nm
Optical Wavelength (CBD-1250T4R3-AT20K)	λ_o	1260	1310	1360	nm
Receiver Overload	P_{max}	-3	---	---	dBm
Receiver Sensitivity ²	P_I	---	---	-32	dBm
Optical Return Loss	OL	12	---	---	dB
RX Signal Loss – Deasserted	P_{RL-}	-45	---	---	dBm
RX Signal Loss – Asserted	P_{RL+}	---	---	-32	dBm
Signal Detect Hysteresis	$P_{RL+} - P_{RL-}$	1	---	4	dB
RX Signal Loss Assert Time	T_{RL+}	---	---	100	μ s
RX Signal Loss Deassert Time	T_{RL-}	---	---	100	μ s
RX Signal Loss Output - High	V_{RL+}	2.0	---	V_{CC}	V
RX Signal Loss Output - Low	V_{RL-}	0	---	0.8	V

Notes:

1. Applied to AC LVPECL I/O coupling. See the design guide for proper termination.
2. Test at 1.25 Gb/s, 2⁷ – 1 PRBS data pattern, and > 1x10⁻¹² of Bit-Error-Rate (BER)

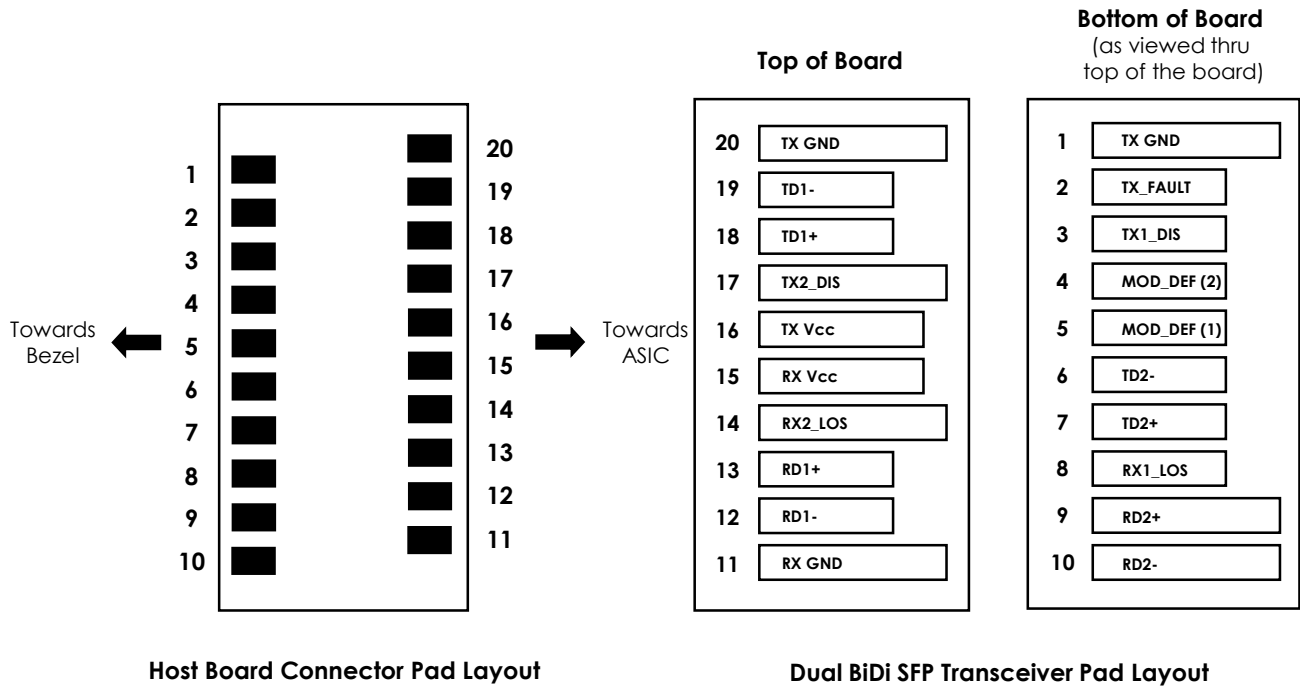
Class 1 Laser Product
Complies with
21 CFR 1040.10 and 1040.11



PIN Assignment and Description

The SFP transceiver contains a printed circuit board that mates with the SFP electrical connector. The pads are designed for a sequenced mating:

- First mate ground contacts
- Second mate power contacts
- Third mate signal contacts



1.25 Gb/s, SFP LC, Dual BiDi TX 1310/RX1490, TX 1490/RX1310 nm Single Mode, 20 km Distance



Description

This compact SFP has dual-channel Bi-Directional (BiDi) optics for single mode applications. This compact module increases by 4x instantly the total bandwidth capacity of an existing fiber cable infrastructure. Built upon OptixCom's advanced BiDi technology, this compact design has set a new standard for increasing port density requirement in the networking industry.

This optical transceiver integrates two BiDi channels transmitting at 1310 nm and receiving at 1490 nm wavelength, and vice versa for the matching one (1310 nm to receive and 1490 nm to transmit) at the other end to make a complete link.

It operates at 1.25 Gb/s with 20 km of transmission distance and > 14 dB power budget. The product is compliant with CSFP MSA Option 2 and SFF-8472. It's RoHS compliant.

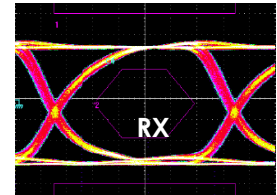
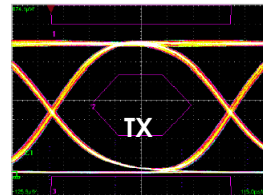


Lead-Free

CBD-1250T3R4-AT20K
CBD-1250T4R3-AT20K



1.25 Gb/s, 2⁷-1 NRZ Data Eye pattern



Key Features

- 2x Bi-Directional channels in one SFP package
- Single Mode, 1.25 Gb/s
- TX1310/RX1490 and TX1490/RX1310 nm wavelength
- > 14 dB power budget, 20 km reach
- Single 3.3 V power supply
- Z-axis hot pluggable
- Compliant with CSFP MSA Option 2
- Dual LC connector optical interface
- AC coupling LVPECL differential I/O logics
- -40-85 °C extended temperatures available
- RoHS compliant

Applications

- ✓ Fiber Channel, Gigabit Ethernet
- ✓ High speed I/O for file server
- ✓ Data Communication for SAN and LAN
- ✓ Industrial Control Link
- ✓ Central offices routers and switches
- ✓ Mass storage systems interconnect

Ordering Information

Part Number: CBD-1250T3R4-AT20K

Description:

1.25 Gb/s, Single Mode, SFP Dual BiDi Optical Transceiver, TX 1310 nm /RX 1490 nm, 20 km, 0 -70°C.

Part Number: CBD-1250T4R3-AT20K

Description:

1.25 Gb/s, Single Mode, SFP Dual BiDi Optical Transceiver, TX 1490 nm /RX 1310 nm, 20 km, 0 -70°C.

* Add "-T" in the Part Number for extended temperature range -40-85 °C, i.e., CBD-1250T3R4-AT20K-T.

Operating Conditions

Parameter	Min.	Typical	Max.	Units
Operate Temperature	0	25	70	°C
- T Transceivers	-40	25	85	°C
Data Rate	---	1.25	1.3	Gb/s
Supply Voltage	3.13	3.3	3.47	V
Supply Current	---	350	400	mA

U.S.A. Office: Optix Communications, Inc.

17901 Von Karman Avenue, Suite 600,
Irvine, CA 92614

Tel: (949) 679-5712 Fax: (949) 420-2134

<http://www.OptixCom.com>

<http://www.OpticalTransceiver.com>

Email: Support@OptixCom.com

Germany Office: OptixCom GmbH

Magdeburger Strasse 18, 66121
Saarbruecken, Germany

Tel: +49 (0)681 4013-5172

Absolute Maximum Ratings

Parameter	Symbol	Min.	Max.	Units
Storage Temperature	T_{st}	-40	85	°C
Supply Voltage	V_{CC}	-0.5	4.0	V
Input Voltage	V_{IN}	-0.5	$V_{CC} + 0.3$	V
Output Current	I_o	---	50	mA
Relative Humidity	$R.H.$	0	85	%

Transmitter Electro-Optical Characteristics

Parameter	Symbol	Min.	Typical	Max.	Units
Differential Input Voltage ¹	ΔV_i	0.4	---	1.8	V
Differential Input Impedance ²	Z	---	100	---	ohm
Optical Output Power ³	P_o	-9	---	-3	dBm
Optical Wavelength (CBD-1250T3R4-AT20K)	λ_o	1260	1310	1360	nm
Optical Wavelength (CBD-1250T4R3-AT20K)	λ_o	1470	1490	1510	nm
Rise/Fall Time (20%~80%)	T_r/T_f	---	---	0.26	ns
Extinction Ratio	ET	9	---	---	dB
TX Disable Power	P_{TD}	---	---	-30	dBm
Spectral Width (rms)	$\Delta\lambda$	---	---	4	nm
TX Disable Voltage – High	V_{DH}	2.0	---	V_{CC}	V
TX Disable Voltage - Low	V_{DL}	0	---	0.8	V
TX Fault Output - High	V_{FH}	2.0	---	V_{CC}	V
TX Fault Output - Low	V_{FL}	0	---	0.8	V
TX Disable Assert Time	T_{ass}	---	---	10	μs
TX Disable Deassert Time	T_{disass}	---	---	1.0	ms
Time to Initialize	T_{as}	---	---	300	ms
TX Fault from Fault to Assertion	T_{fault}	---	---	100	μs
TX Disable Time to Start Reset	T_{reset}	10	---	---	μs

Notes:

1. Applied to AC LVPECL I/O coupling. See the design guide for proper termination.
2. Single ended will be 50 ohm for each signal line.
3. Output of coupling optical power into 9/125 μm SMF.

Receiver Electro-Optical Characteristics

Parameter	Symbol	Min.	Typical	Max.	Units
Differential Input Impedance	Z	---	100	---	Ohm
Differential Output Voltage ¹	ΔV_o	0.4	---	1.8	V
Optical Wavelength (CBD-1250T3R4-AT20K)	λ_o	1470	1490	1510	nm
Optical Wavelength (CBD-1250T4R3-AT20K)	λ_o	1260	1310	1360	nm
Receiver Overload	P_{max}	-3	---	---	dBm
Receiver Sensitivity ²	P_I	---	---	-23	dBm
Optical Return Loss	OL	12	---	---	dB
RX Signal Loss – Deasserted	P_{RL-}	-35	---	---	dBm
RX Signal Loss – Asserted	P_{RL+}	---	---	-23	dBm
Signal Detect Hysteresis	$P_{RL+} - P_{RL-}$	1	---	4	dB
RX Signal Loss Assert Time	T_{RL+}	---	---	100	μ s
RX Signal Loss Deassert Time	T_{RL-}	---	---	100	μ s
RX Signal Loss Output - High	V_{RL+}	2.0	---	V_{CC}	V
RX Signal Loss Output - Low	V_{RL-}	0	---	0.8	V

Notes:

1. Applied to AC LVPECL I/O coupling. See the design guide for proper termination.
2. Test at 1.25 Gb/s, 2⁷ – 1 PRBS data pattern, and > 1x10⁻¹² of Bit-Error-Rate (BER)

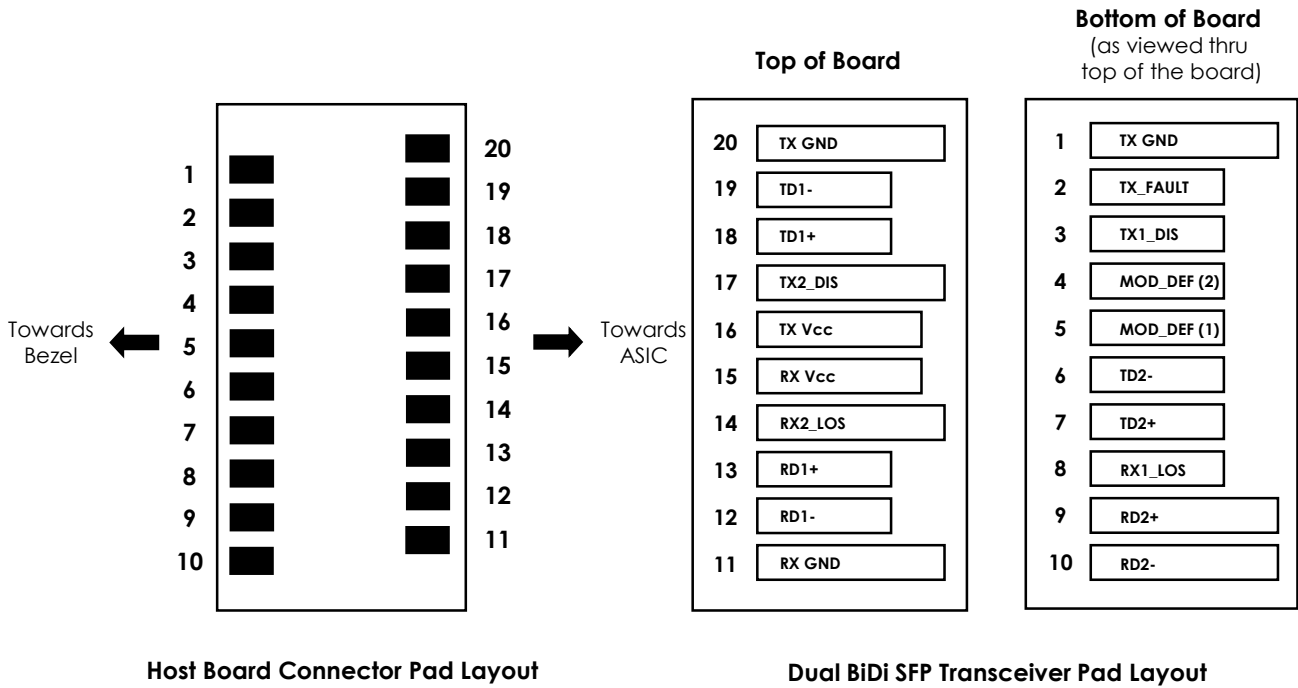
Class 1 Laser Product
Complies with
21 CFR 1040.10 and 1040.11



PIN Assignment and Description

The SFP transceiver contains a printed circuit board that mates with the SFP electrical connector. The pads are designed for a sequenced mating:

- First mate ground contacts
- Second mate power contacts
- Third mate signal contacts



**2.5 Gb/s, SFP LC, Dual BiDi
TX 1310/RX1490, TX 1490/RX1310 nm
Single Mode, 20 km Distance**

Description

This compact SFP has dual-channel Bi-Directional (BiDi) optics for single mode applications. This compact module increases by 4x instantly the total bandwidth capacity of an existing fiber cable infrastructure. Built upon OptixCom's advanced BiDi technology, this compact design has set a new standard for increasing port density requirement in the networking industry.

This optical transceiver integrates two BiDi channels transmitting at 1310 nm and receiving at 1490 nm wavelength, and vice versa for the matching one (1310 nm to receive and 1490 nm to transmit) at the other end to make a complete link.

It operates at 2.5 Gb/s with 20 km of transmission distance and > 14 dB power budget. The product is compliant with CSFP MSA Option 2 and SFF-8472. It's RoHS compliant.

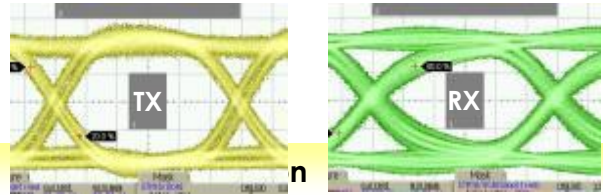


Lead-Free

**CBD-2500T3R4-AT20K
CBD-2500T4R3-AT20K**



2.5 Gb/s, 2⁷-1 NRZ Data Eye Pattern



Key Features

- 2x Bi-Directional channels in one SFP package
- Single Mode, 2.5 Gb/s
- TX1310/RX1490 and TX1490/RX1310 nm wavelength
- > 14 dB power budget, 20 km reach
- Single 3.3 V power supply
- Z-axis hot pluggable
- Compliant with CSFP MSA Option 2
- Dual LC connector optical interface
- AC coupling LVPECL differential I/O logics
- RoHS compliant

Applications

- ✓ Fiber Channel, Gigabit Ethernet
- ✓ High speed I/O for file server
- ✓ Data Communication for SAN and LAN
- ✓ Industrial Control Link
- ✓ Central offices routers and switches
- ✓ Mass storage systems interconnect

Part Number: CBD-2500T3R4-AT20K

Description:

2.5 Gb/s, Single Mode, SFP Dual BIDI Optical Transceiver, TX 1310 nm /RX 1490 nm, 20 km, 0 -70°C.

Part Number: CBD-2050T4R3-AT20K

Description:

2.5 Gb/s, Single Mode, SFP Dual BIDI Optical Transceiver, TX 1490 nm /RX 1310 nm, 20 km, 0 -70°C.

Operating Conditions

Parameter	Min.	Typical	Max.	Units
Operate Temperature	0	25	70	°C
- T Transceivers	-40	25	85	°C
Data Rate	---	2.488	2.5	Gb/s
Supply Voltage	3.13	3.3	3.47	V
Supply Current	---	500	550	mA

Absolute Maximum Ratings

Parameter	Symbol	Min.	Max.	Units
Storage Temperature	T_{st}	-40	85	°C
Supply Voltage	V_{CC}	-0.5	4.0	V
Input Voltage	V_{IN}	-0.5	$V_{CC} + 0.3$	V
Output Current	I_o	---	50	mA
Relative Humidity	$R.H.$	0	85	%

Transmitter Electro-Optical Characteristics

Parameter	Symbol	Min.	Typical	Max.	Units
Differential Input Voltage ¹	ΔV_i	0.4	---	1.8	V
Differential Input Impedance ²	Z	---	100	---	ohm
Optical Output Power ³	P_o	-5	---	0	dBm
Optical Wavelength (CBD-1250T3R4-AT20K)	λ_o	1260	1310	1360	nm
Optical Wavelength (CBD-1250T4R3-AT20K)	λ_o	1470	1490	1510	nm
Rise/Fall Time (20%~80%)	T_r/T_f	---	---	0.26	ns
Extinction Ratio	ET	9	---	---	dB
TX Disable Power	P_{TD}	---	---	-30	dBm
Spectral Width (20 dB)	$\Delta\lambda$	---	---	1	nm
TX Disable Voltage – High	V_{DH}	2.0	---	V_{CC}	V
TX Disable Voltage - Low	V_{DL}	0	---	0.8	V
TX Fault Output - High	V_{FH}	2.0	---	V_{CC}	V
TX Fault Output - Low	V_{FL}	0	---	0.8	V
TX Disable Assert Time	T_{ass}	---	---	10	μs
TX Disable Deassert Time	T_{disass}	---	---	1.0	ms
Time to Initialize	T_{as}	---	---	300	ms
TX Fault from Fault to Assertion	T_{fault}	---	---	100	μs
TX Disable Time to Start Reset	T_{reset}	10	---	---	μs

Notes:

1. Applied to AC LVPECL I/O coupling. See the design guide for proper termination.
2. Single ended will be 50 ohm for each signal line.
3. Output of coupling optical power into 9/125 μm SMF.

Receiver Electro-Optical Characteristics

Parameter	Symbol	Min.	Typical	Max.	Units
Differential Input Impedance	Z	---	100	---	Ohm
Differential Output Voltage ¹	ΔV_o	0.4	---	1.8	V
Optical Wavelength (CBD-1250T3R4-AT20K)	λ_o	1470	1490	1510	nm
Optical Wavelength (CBD-1250T4R3-AT20K)	λ_o	1260	1310	1360	nm
Receiver Overload	P_{max}	0	---	---	dBm
Receiver Sensitivity ²	P_I	---	---	-19	dBm
Optical Return Loss	OL	12	---	---	dB
RX Signal Loss – Deasserted	P_{RL-}	-30	---	---	dBm
RX Signal Loss – Asserted	P_{RL+}	---	---	-19	dBm
Signal Detect Hysteresis	$P_{RL+} - P_{RL-}$	1	---	4	dB
RX Signal Loss Assert Time	T_{RL+}	---	---	100	μ s
RX Signal Loss Deassert Time	T_{RL-}	---	---	100	μ s
RX Signal Loss Output - High	V_{RL+}	2.0	---	V_{CC}	V
RX Signal Loss Output - Low	V_{RL-}	0	---	0.8	V

Notes:

1. Applied to AC LVPECL I/O coupling. See the design guide for proper termination.
2. Test at 1.25 Gb/s, 2⁷ – 1 PRBS data pattern, and > 1x10⁻¹² of Bit-Error-Rate (BER)

Class 1 Laser Product
Complies with
21 CFR 1040.10 and 1040.11



PIN Assignment and Description

The SFP transceiver contains a printed circuit board that mates with the SFP electrical connector. The pads are designed for a sequenced mating:

- First mate ground contacts
- Second mate power contacts
- Third mate signal contacts

